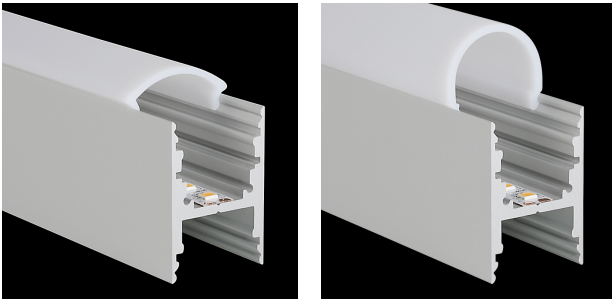
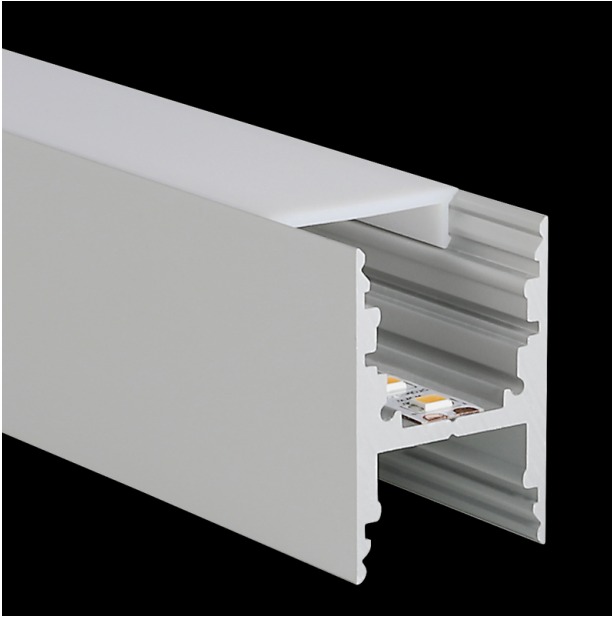


## LIGHT TECHNOLOGY



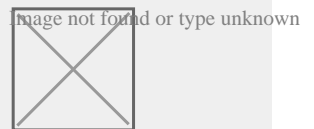
### DETAILS

#### APPLICATION

Retail Lighting  
Architectural Lighting  
Interior Lighting



### MANUFACTURER



### COUNTRY OF ORIGIN



## M-LINE H

The PROLED aluminium profiles are the perfect addition to the PROLED FLEX STRIPS. The FLEX STRIPS can be glued into the profile. The aluminum profiles are in anodized aluminium, white RAL 9016 or black similar to RAL 9005 available. The profile can simply be sawn to any required length or ordered in the required custom length. Different versions of Aluminium profiles and different shapes of plastic covers are available. In addition we offer a wide range of accessories. Q-LINE STANDARD Flat plastic covers are available in following versions: crystal clear, frost (semitransparent) and milky frost (opal)