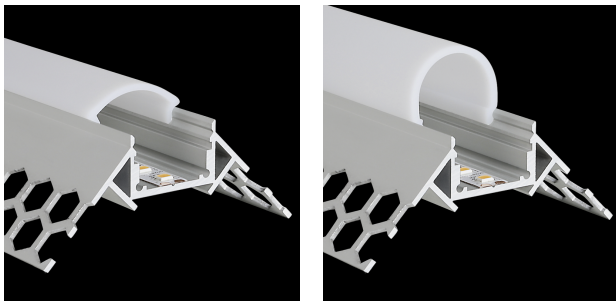


LIGHT TECHNOLOGY



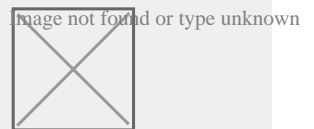
DETAILS

APPLICATION

Retail Lighting
Architectural Lighting
Interior Lighting



MANUFACTURER



COUNTRY OF ORIGIN



M-LINE DRYWALL CORNER EXTERNAL

The PROLED aluminium profiles are the perfect addition to the PROLED FLEX STRIPS. The FLEX STRIPS can be glued into the profile. The aluminium profiles are in anodized aluminium available. The profile can simply be sawn to any required length or ordered in the required custom length. Different versions of Aluminium profiles and different shapes of plastic covers are available. In addition we offer a wide range of accessories. The ALUMINIUM PROFILES M-LINE DRYWALL are suitable for a seamless installation as wall or ceiling lighting in drywall installations. horizontal or vertical installation seamless integration possible Four different shapes of high quality plastic covers are available: flat, oval, round and square Each of the four shapes are available in crystal clear, frost (semitransparent) and milky frost (opal). The flat cover (FLAT) is also supplied in black (translucent effect). The flat cover (FLAT) is also as a walkable and break-proof version in crystal clear, frost and milky frost (opal) available.