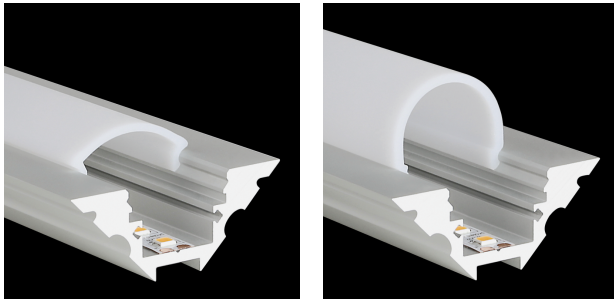


LIGHT TECHNOLOGY

Lighting Distribution: Cover Shapes: Flat / Break-proof Flat / Oval / Round / Square / Lens 45 o Cover Versions: Clear / Frost / Milky (opal)

Color: Anodized Aluminium / RAL 9016 / RAL 9005

Dimensions: L: 1000 - 5000 mmW: 48 mmH: 34 mm



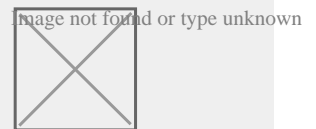
DETAILS

APPLICATION

Retail Lighting
Architectural Lighting
Interior Lighting



MANUFACTURER



COUNTRY OF ORIGIN



M-LINE CORNER

The PROLED aluminium profiles are the perfect addition to the PROLED FLEX STRIPS. The FLEX STRIPS can be glued into the profile. The aluminum profiles are in anodized aluminium or white RAL 9016 available. The profile can simply be sawn to any required length or ordered in the required custom length. Different versions of Aluminium profiles and different shapes of plastic covers are available. In addition we offer a wide range of accessories. M-LINE CORNER (for mounting in a corner) Four different shapes of high quality plastic covers are available: flat, oval, round and square Each of the four shapes are available in crystal clear, frost (semitransparent) and milky frost (opal). The flat cover (FLAT) is also supplied in black (translucent effect). The flat cover (FLAT) is also as a walkable and break-proof version in crystal clear, frost and milky frost (opal) available. The LENS COVER 45° provides a concentration of light rays and therefore a narrower beam angle. Depending on the distance between FLEX STRIP and LENS COVER the max. beam angle is 45°.