

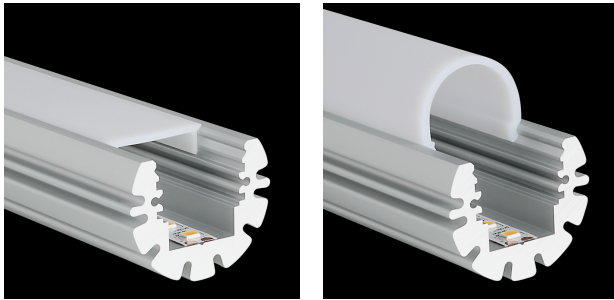


LIGHT TECHNOLOGY

Lighting Distribution: Cover Shapes: Flat / Break-proof Flat / Oval / Round / Square Cover Versions: Clear / Frost / Milky (opal)

Color: Anodized Aluminium / RAL 9016 / RAL 9005

Dimensions: L: 1000 - 5000 mmW: 35 mmH: 27,3 mm



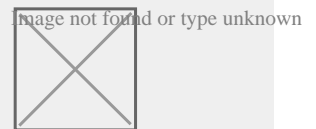
DETAILS

APPLICATION

Retail Lighting
Architectural Lighting
Interior Lighting



MANUFACTURER



COUNTRY OF ORIGIN



M-LINE CIRCLE

The PROLED aluminium profiles are the perfect addition to the PROLED FLEX STRIPS. The FLEX STRIPS can be glued into the profile. The aluminum profiles are in anodized aluminium or white RAL 9016 available. The profile can simply be sawn to any required length or ordered in the required custom length. Different versions of Aluminium profiles and different shapes of plastic covers are available. In addition we offer a wide range of accessories. M-LINE CIRCLE Four different shapes of high quality plastic covers are available: flat (not suitable for the DMX STRIP 30), oval, round and square Each of the four shapes are available in crystal clear, frost (semitransparent) and milky frost (opal). The flat cover (FLAT) is also supplied in black (translucent effect). The flat cover (FLAT) is also as a walkable and break-proof version in crystal clear, frost and milky frost (opal) available.